

TAWIGRIP GLASS LIFTER

This TAWIGrip has an electric vacuum source and four suction cups, Ø190 mm, on two cross bars. Max capacity 170 kg.

The window is picked up from a vertical position, tilted to horizontal position where assembly work takes place. The window is then tilted to 70° and positioned in a wall module.

Both vacuum source and tilt unit is electric on this TAWIGrip, no compressed air necessary.

An electric pump creates the correct level of vacuum in the yoke system and then shuts down. If the under pressure sinks below 60%, the pump automatically restarts to reach correct level.

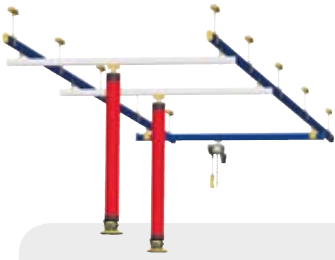


- TAWIGrip vacuum gripper can lift, tilt and rotate sheet metal, glass and laminated panels.
- Choose between: TAWIGrip with Pneumatic Vacuum Source or Electric Vacuum Source.
- Horizontal: Up to 500 kg or more on request. Vertical: Up to 250 kg.
- Choose between: Horizontal-Horizontal, Horizontal-Vertical, Vertical-Vertical
- Safe, two-handed release function
- Visual control of the vacuum level
- Easy-to-use control board
- Twin chamber vacuum system
- Light weight design

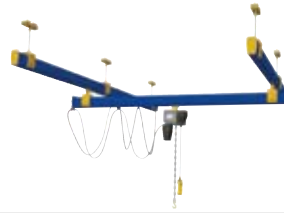


TAWI

Lyftman over head crane systems and jib cranes



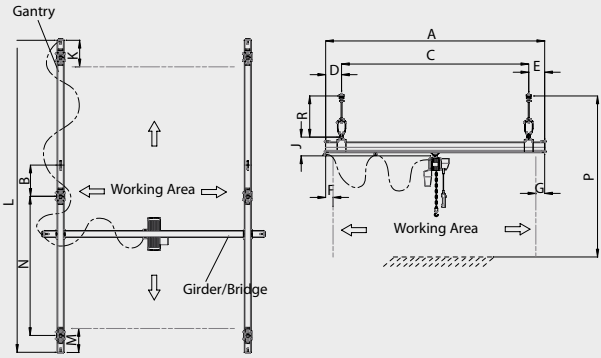
For production lines with several working stations.
A separate crane bridge is installed for each station. There is no limit to the length of this gantry, 50-60 metres is common.



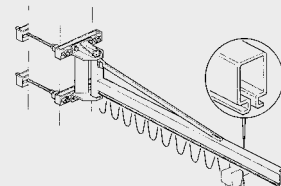
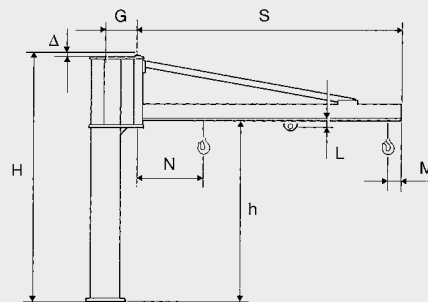
Basic overhead x-y crane system.
Competitive pricing, fast deliveries, high quality and easy installation is the secret behind this popular solution.

Lyftman single bridge crane systems max 1500 kg

| Profile type | (mm) | 40 kg | 60 kg | 80 kg | 125 kg | 250 kg | 500 kg | 1000 kg | 1500 kg |
|--------------|-------|------------|------------|------------|------------|------------|------------|------------|------------|
| LR86 | N max | 3750 | 3200 | 2900 | | | | | |
| | M | 80 | 80 | 80 | | | | | |
| | K | L/1,5*70+G | L/1,5*70+G | L/1,5*70+G | | | | | |
| | A max | 4000 | 3400 | 3000 | | | | | |
| | R | 150-778 | 150-778 | 150-778 | | | | | |
| | J | 150 | 150 | 150 | | | | | |
| | G | 80 | 80 | 80 | | | | | |
| | F | L/1,5*70+G | L/1,5*70+G | L/1,5*70+G | | | | | |
| LR113 | N max | 6000 | 5200 | 4700 | 3900 | | | | |
| | M | 110 | 110 | 110 | 110 | | | | |
| | K | L/1,5*70+G | L/1,5*70+G | L/1,5*70+G | L/1,5*70+G | | | | |
| | A max | 6000 | 6000 | 5300 | 4400 | | | | |
| | R | 200-828 | 200-828 | 200-828 | 200-828 | | | | |
| | J | 190 | 190 | 190 | 190 | | | | |
| | G | 110 | 110 | 110 | 110 | | | | |
| | F | L/1,5*70+G | L/1,5*70+G | L/1,5*70+G | L/1,5*70+G | | | | |
| LR120 | N max | 8000 | 8000 | 7000 | 6100 | 4700 | 2300 | | |
| | M | 105 | 105 | 105 | 105 | 105 | 220 | | |
| | K | L/1,5*70+G | L/1,5*70+G | L/1,5*70+G | L/1,5*70+G | L/1,5*70+G | L/1,5*70+G | | |
| | A max | 8000 | 8000 | 8000 | 7100 | 5300 | 3700 | | |
| | R | 285-883 | 285-883 | 285-883 | 285-883 | 285-883 | 285-883 | | |
| | J | 250 | 250 | 250 | 250 | 250 | 250 | | |
| | G | 105 | 105 | 105 | 105 | 105 | 220 | | |
| | F | L/1,5*70+G | L/1,5*70+G | L/1,5*70+G | L/1,5*70+G | L/1,5*70+G | L/1,5*70+G | | |
| LR170 | N max | - | - | 8000 | 8000 | 8000 | 6300 | 3300 | 2300 |
| | M | - | - | 110 | 110 | 110 | 110 | 230 | 230 |
| | K | - | - | L/1,5*70+G | L/1,5*70+G | L/1,5*70+G | L/1,5*70+G | L/1,5*70+G | L/1,5*70+G |
| | A max | - | - | 8000 | 8000 | 8000 | 7100 | 3900 | 2700 |
| | R | - | - | 285-883 | 285-883 | 285-883 | 285-883 | 285-883 | 285-883 |
| | J | - | - | 250 | 250 | 250 | 250 | 250 | 250 |
| | G | - | - | 110 | 110 | 110 | 110 | 230 | 230 |
| | F | - | - | L/1,5*70+G | L/1,5*70+G | L/1,5*70+G | L/1,5*70+G | L/1,5*70+G | L/1,5*70+G |
| B | - | - | 150-3950 | 150-3950 | 150-2500 | 150-900 | 150-400 | 150-250 | |



LRP/LRV jib arms up to 500 kg



Chain hoist must be ordered separately, not included in jib crane delivery.
Fixing system for floor/wall NOT INCLUDED.

| Lifting capacity (kg) | Arm S | | Size of jib crane | LRV Wallmounted Jib Cranes Channel Profile | | | | | | | Weight crane (kg) | LRP Column Jib Crane, Channel profile | | | | | | | | | | | |
|-----------------------|--------------------|------------------|-------------------|--|------------------|------|------|-----|------|-----|-------------------|---------------------------------------|----------|-------------------|-----------------|------|-----|-----|-------------|-----|-------|----------|----|
| | Nominal length (m) | True length (mm) | | Art. nr. | Dimensioner (mm) | | | | | | | Total height H (m) | Art. Nr. | Under-beam h (mm) | Dimensions (mm) | | | | Weight (kg) | | | | |
| | | | | | A | B | C | D | E | F | | | | | Ø | G | L | M | N | Δ | Crane | Column/m | |
| 63 | 4 | 4056 | A | LRV4/63 | 170 | 552 | 664 | 200 | 594 | 150 | 15 | 74 | 3 | LRP4/63 | 2496 | 220 | 34 | 125 | 585 | 12 | 174 | 18 | |
| | 5 | 5056 | A | LRV5/63 | 170 | 552 | 664 | 200 | 594 | 150 | 15 | 87 | 3 | LRP5/63 | 2496 | 220 | 34 | 125 | 645 | 12 | 137 | 18 | |
| | 6 | 6056 | B | LRV6/63 | 170 | 552 | 664 | 200 | 594 | 150 | 15 | 100 | 3 | LRP6/63 | 2496 | 255 | 34 | 125 | 730 | 12 | 182 | 28 | |
| | 7 | 7056 | B | LRV7/63 | 170 | 552 | 664 | 200 | 594 | 150 | 15 | 113 | 3 | LRP7/63 | 2496 | 255 | 34 | 125 | 790 | 12 | 195 | 28 | |
| | 125 | 2 | 2056 | A | LRV2/125 | 170 | 552 | 664 | 200 | 594 | 150 | 15 | 48 | 3 | LRP2/125 | 2496 | 220 | 34 | 125 | 525 | 12 | 98 | 18 |
| | | 3 | 3056 | A | LRV3/125 | 170 | 552 | 664 | 200 | 594 | 150 | 15 | 61 | 3 | LRP3/125 | 2496 | 220 | 34 | 125 | 585 | 12 | 111 | 18 |
| | | 4 | 4066 | B | LRV4/125 | 170 | 552 | 664 | 200 | 594 | 150 | 15 | 74 | 3 | LRP4/125 | 2496 | 255 | 34 | 125 | 610 | 12 | 156 | 28 |
| 5 | | 5066 | B | LRV5/125 | 170 | 552 | 664 | 200 | 594 | 150 | 15 | 87 | 3 | LRP5/125 | 2496 | 255 | 34 | 125 | 670 | 12 | 169 | 28 | |
| 6 | | 6066 | C | LRV6/125 | 210 | 820 | 930 | 250 | 870 | 190 | 22 | 135 | 3.5 | LRP6/125 | 2738 | 310 | 34 | 125 | 800 | 17 | 253 | 34 | |
| 7 | | 7066 | C | LRV7/125 | 210 | 820 | 930 | 250 | 870 | 190 | 22 | 150 | 3.5 | LRP7/125 | 2738 | 310 | 34 | 125 | 860 | 17 | 268 | 34 | |
| 250 | | 2 | 2066 | B | LRV2/250 | 170 | 552 | 664 | 200 | 594 | 150 | 15 | 48 | 3 | LRP2/250 | 2496 | 255 | 34 | 125 | 550 | 12 | 130 | 28 |
| | 3 | 3066 | B | LRV3/250 | 170 | 552 | 664 | 200 | 594 | 150 | 15 | 61 | 3 | LRP3/250 | 2496 | 255 | 34 | 125 | 610 | 12 | 143 | 28 | |
| | 4 | 4066 | C | LRV4/250 | 210 | 820 | 930 | 250 | 870 | 190 | 22 | 105 | 3.5 | LRP4/250 | 2738 | 310 | 34 | 125 | 680 | 17 | 223 | 34 | |
| | 5 | 5066 | C | LRV5/250 | 210 | 820 | 930 | 250 | 870 | 190 | 22 | 120 | 3.5 | LRP5/250 | 2738 | 310 | 34 | 125 | 740 | 17 | 238 | 34 | |
| | 6 | 6066 | D | LRV6/250 | 210 | 820 | 930 | 250 | 870 | 190 | 22 | 202 | 3.5 | LRP6/250 | 2738 | 360 | 40 | 140 | 850 | 17 | 381 | 51 | |
| | 7 | 7066 | D | LRV7/250 | 210 | 820 | 930 | 250 | 870 | 190 | 22 | 228 | 3.5 | LRP7/250 | 2738 | 360 | 40 | 140 | 910 | 17 | 407 | 51 | |
| | 500 | 2 | 2036 | C | LRV2/500 | 210 | 820 | 930 | 250 | 870 | 190 | 22 | 75 | 3.5 | LRP2/500 | 2738 | 310 | 34 | 250 | 745 | 17 | 193 | 34 |
| 3 | | 3066 | C | LRV3/500 | 210 | 820 | 930 | 250 | 870 | 190 | 22 | 90 | 3.5 | LRP3/500 | 2738 | 310 | 34 | 250 | 805 | 17 | 208 | 34 | |
| 4 | | 4066 | D | LRV4/500 | 210 | 820 | 930 | 250 | 870 | 190 | 22 | 113 | 3.5 | LRP4/500 | 2738 | 360 | 34 | 250 | 850 | 17 | 292 | 51 | |
| 5 | | 5066 | D | LRV5/500 | 210 | 820 | 930 | 250 | 870 | 190 | 22 | 129 | 3.5 | LRP5/500 | 2738 | 360 | 34 | 250 | 910 | 17 | 308 | 51 | |
| 6 | | 6066 | E | LRV6/500 | 255 | 1100 | 1240 | 300 | 1160 | 220 | 34 | 270 | 4 | LRP6/500 | 2980 | 415 | 40 | 140 | 860 | 20 | 576 | 73 | |
| 7 | | 7066 | E | LRV7/500 | 255 | 1100 | 1240 | 300 | 1160 | 220 | 34 | 300 | 4 | LRP7/500 | 2980 | 415 | 40 | 140 | 920 | 20 | 606 | 73 | |

